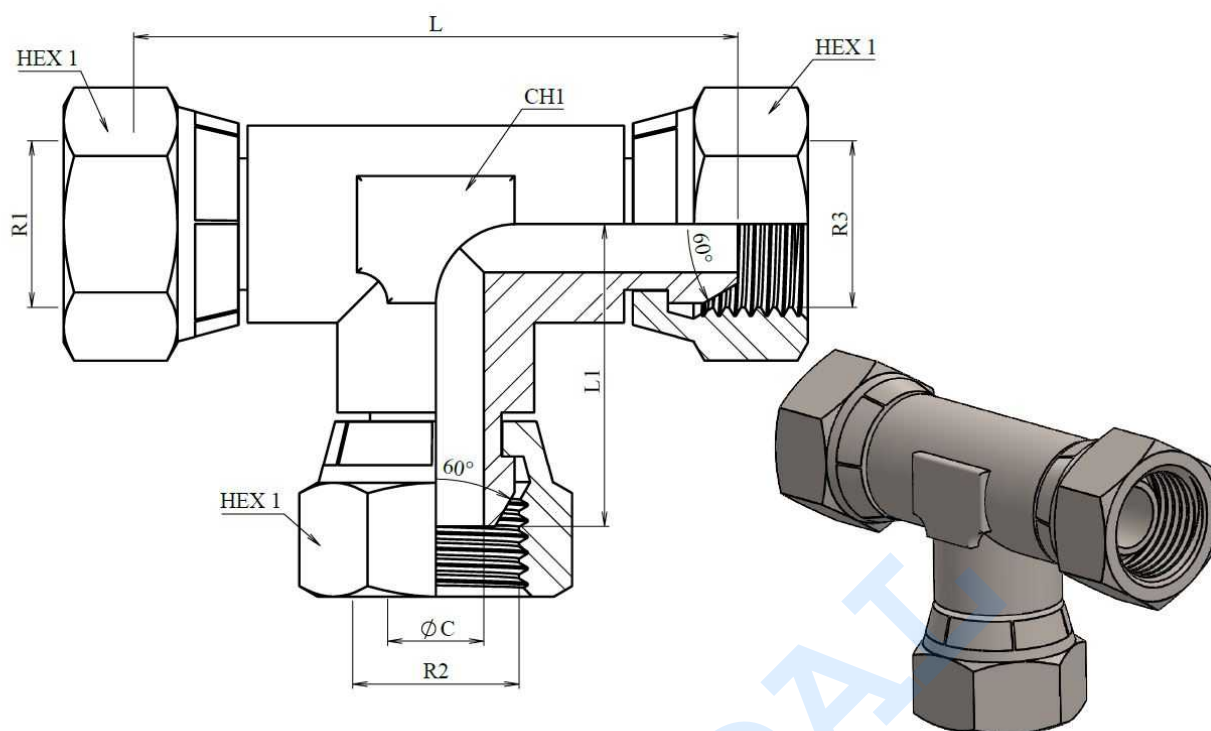


Adaptadores BSP

Te y cruces en forja

Tes hembras giratorias BSP cono 60º

Acero Inoxidable AISI 316-L



Artículo	R1	R2	R3	L	L1	HEX 1	CH1	ØC
Z122804	1/4" BSP	1/4" BSP	1/4" BSP	54,5	27	19	14	5
Z122806	3/8" BSP	3/8" BSP	3/8" BSP	58	29	22	20	8
Z122808	1/2" BSP	1/2" BSP	1/2" BSP	71	34,5	27	24	11
Z122812	3/4" BSP	3/4" BSP	3/4" BSP	86,5	43,3	32	28	15
Z122816	1" BSP	1" BSP	1" BSP	101	50,5	41	25	22
Z122820	1"1/4 BSP	1"1/4 BSP	1"1/4 BSP	105,8	52,9	50	41	28
Z122824	1"1/2 BSP	1"1/2 BSP	1"1/2 BSP	108	54	55	41	30